

# Diathermic Oil Boiler

**300.000 kcal/h - 6.000.000 kcal/h Heat capacity**  
**Compact Quality in Temperatures up to 300C**



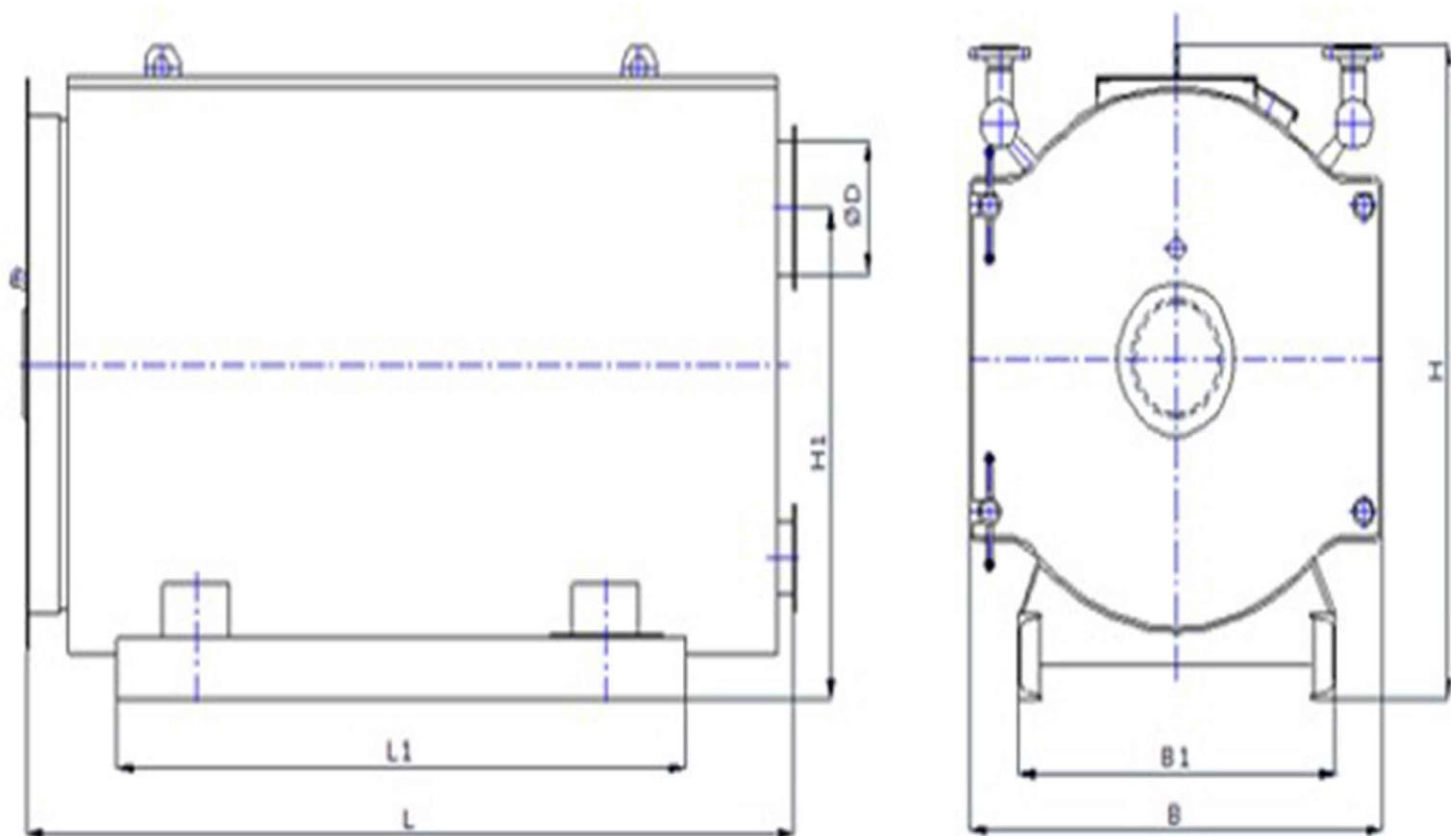
**To give you the advantage of:**

- \* Compact Dimensions**
- \* Quick set-up and start-up.**
- \* High Efficiency**
- \* No typical corrosion or scaling**

**The DB System Includes:**

- \* The DB Boiler**
- \* Oil or gas burner (optional)**
- \* Thermo – oil circulation pumps**
- \* Boiler controls and safety equipment**
- \* Electrical control Panel**
- \* De-gasser**

**SEE SPECS BELOW**



## DB BOILER DIMENSIONS

DB		2000	2500	3000	4000	5000	6000
Capacity	kcal/h	2000,000	2500,000	3000,000	4000,000	5,000,000	6,000,000
Capacity	Kw	2,326	2,907	3,488	4,651	5,814	6,977
L	mm	4,120	4,300	4,360	5,300	6,400	6,500
L1	mm	3,140	3,445	3,530	4,000	4,550	5,000
B	mm	2,070	2,246	2,445	2,720	2,835	3,220
B1	mm	1,600	1,650	2,000	2,055	2,055	2,400
H	mm	2,335	2,513	2,815	3,106	3,208	3,530
H1	mm	1,640	1,800	2,043	2,267	2,308	2,596
OD	mm	600	650	700	800	900	950
Counter Pressure	mbar	9,2	10	10,5	11	12	12,5